

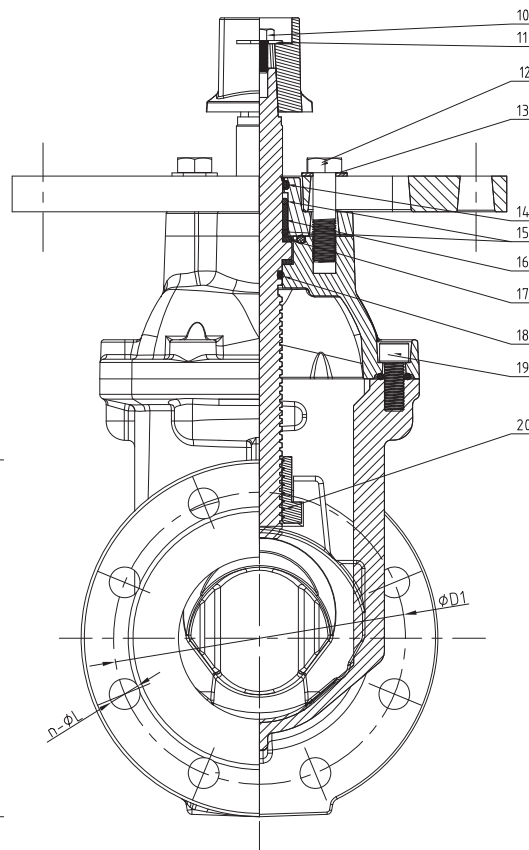
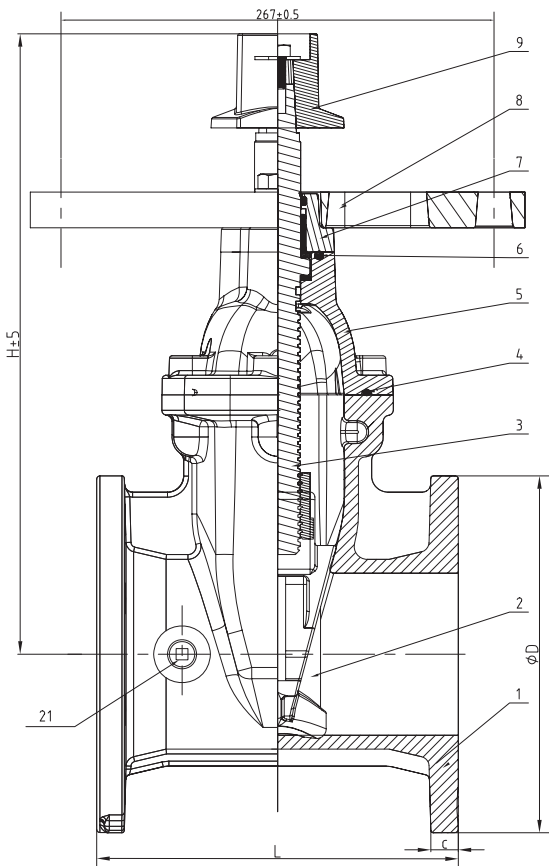
NON-RISING STEM GATE VALVES

Resilient Wedge NRS Gate Valve / Model NRS-300FF



- Size** : 2", 2 1/2", 3", 4", 5", 6", 8", 10", 12"
- Operation** : For use with A-VPI or A-WPI indicator posts
- Remark** : No post flange supplied with 2", 2 1/2" & 3", and size 2" is FM approved only and size 5" is UL listed only
- Working Pressure** : 20,7 bar (300psi)
- Max. Test Pressure** : 41,4 bar (600psi)
- Working Temperature** : 0 - 80°C
- Connection** : Flange diameter and thickness according to ANSI B16.1 Class 125, EN1092-2 PN10 or EN1092-2 PN16
- Specifications** : Design and dimensions conform to AWWA C515
- Corrosion Protection** : Fusion bonded epoxy coating in accordance with ANSI/AWWA C550 for both interior and exterior surface.

Size 4"~5" with 1pc of 1/2" bronze NPT tapping plug, size 6"~12" with 1pc of 3/4" bronze NPT tapping plug.





NON-RISING STEM GATE VALVES

Material List

No	Part	Material	ASTM Specification
1	Valve Body	Ductile Iron	ASTM A536, 65-45-12
2	Wedge Disc	Ductile Iron	ASTM A536, 65-45-12 & EPDM
3	Stem	Stainless Steel	AISI 431
4	Bonnet Gasket	EPDM	Commercial
5	Bonnet	Ductile Iron	ASTM A536, 65-45-12
6	O-Ring	NBR	Commercial
7	Gland	Ductile Iron	ASTM A536, 65-45-12
8	Post Flange	Ductile Iron	ASTM A536, 65-45-12
9	Square Operating Nut	Ductile Iron	ASTM A536, 65-45-12
10	Bolt	Carbon Steel	Zinch Plated
11	Flat Washer	Carbon Steel	Zinch Plated
12	Bolt	Carbon Steel	Zinch Plated
13	Flat Washer	Carbon Steel	Zinch Plated
14	Ring Wiper	EPDM	Commercial
15	O-Ring	NBR	Commercial
16	Axis Guide	Brass	HPb59-1
17	Washer	Brass	HPb59-1
18	O-Ring	NBR	Commercial
19	Bolt	Carbon Steel	Zinch Plated
20	Wedge Nut	Brass	HPb59-1
18	Plug	Bronze	ASTM B584 C89833

Dimensions - Weights

SIZE		DIMENSIONS (mm)				L	
		A	B	C	N-M	PN10/16	ANSI
DN50	2" ³	178	278	152	16	150	178
DN65	2 1/2" ³	190	300	178	17,5	170	190
DN80	3" ³	203	321	191	19,1	180	203
DN100	4"	229	395	229	19,1	190	229
DN125	5" ²	254	432	254	19,1	200	254
DN150	6"	267	475	279	19,1	210	267
DN200	8"	292	585	343	22,2	230	292
DN250	10"	330	656	406	23,8	250	330
DN300	12"	356	751	483	25,4	270	356

SIZE		DIMENSIONS (mm)					WEIGHTS (kg)	
		D1			n-ØL			
		ANSI	PN16	PN10	ANSI	PN16		PN10
DN50	2"	120,7	125		4-Ø19,1		12,9	
DN65	2 1/2"	139,7	145		4-Ø19,1		15,9	
DN80	3"	152,4	160		4-Ø19,1	8-Ø19,1	20,9	
DN100	4"	190,5	180		8-Ø19,1	8-Ø19,1	35,7	
DN125	5"	215,9	210		8-Ø22,2	8-Ø19,1	44,6	
DN150	6"	241,3	240		8-Ø22,2	8-Ø23	54,2	
DN200	8"	298,5	295		8-Ø22,2	12-Ø23	8-Ø23	86,1
DN250	10"	362	355	350	12-Ø25,4	12-Ø28	12-Ø23	117,2
DN300	12"	431,8	410	400	12-Ø25,4	12-Ø28	12-Ø23	180

Note-1: FM Approved only

Note-2: UL Listed only

Note-3: No post plate - flange supplied , UL Listed as NRS-232300FF

Valve flange drilling (size and location of holes) allows mating with the following flange types:

ANSI= ANSI B16.1 Class 125

PN16=DIN 2501, EN 1092 - PN16, BS 4504

PN10=DIN 2501, EN 1092 - PN10, BS 4504

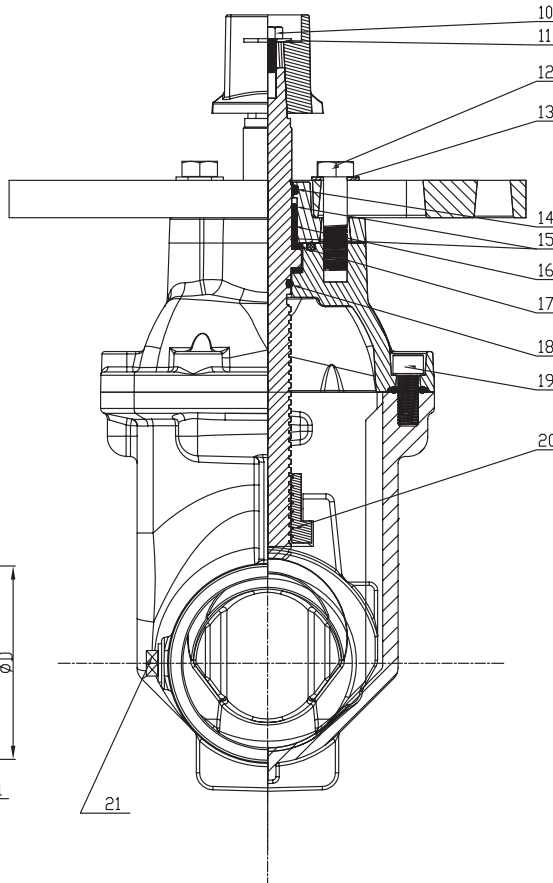
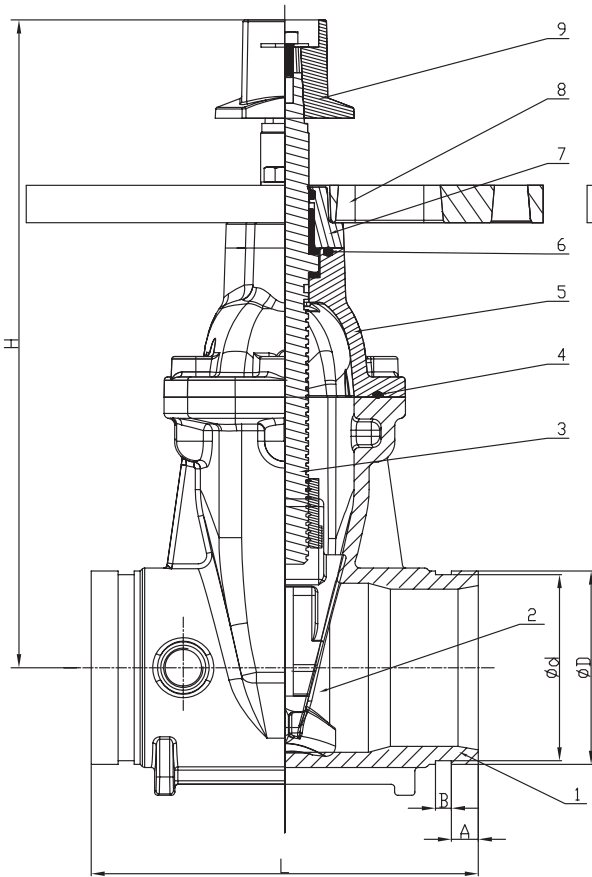
NON-RISING STEM GATE VALVES

Resilient Wedge NRS Gate Valve / Model NRS-300GG



- Size** : 2", 2 1/2", 3", 4", 5", 6", 8", 10", 12"
- Operation** : For use with A-VPI or A-WPI indicator posts
- Remark** : No post flange supplied with 2", 2 1/2" & 3", and size 2" is FM approved only and size 5" is UL listed only
- Working Pressure** : 20,7 bar (300psi)
- Max. Test Pressure** : 41,4 bar (600psi)
- Working Temperature** : 0 - 80°C
- Connection** : Grooved metric or AWWA C606 standard
- Specifications** : Design and dimensions conform to AWWA C515
- Corrosion Protection** : Fusion bonded epoxy coating in accordance with ANSI/AWWA C550 for both interior and exterior surface.

Size 2"~3" with 1pc of 3/8" bronze NPT tapping plug, size 4"~5" with 1pc of 1/2" bronze NPT tapping plug, size 6"~12 with 1pc of 3/4" bronze NPT tapping plug.





NON-RISING STEM GATE VALVES

Material List

No	Part	Material	ASTM Specification
1	Valve Body	Ductile Iron	ASTM A536, 65-45-12
2	Wedge Disc	Ductile Iron	ASTM A536, 65-45-12 & EPDM
3	Stem	Stainless Steel	1Cr17Ni2
4	Bonnet Gasket	EPDM	Commercial
5	Bonnet	Ductile Iron	ASTM A536, 65-45-12
6	O-Ring	NBR	Commercial
7	Gland	Ductile Iron	ASTM A536, 65-45-12
8	Post Flange	Ductile Iron	ASTM A536, 65-45-12
9	Square Operating Nut	Ductile Iron	ASTM A536, 65-45-12
10	Bolt	Carbon Steel	Zinch Plated
11	Flat Washer	Carbon Steel	Zinch Plated
12	Bolt	Carbon Steel	Zinch Plated
13	Flat Washer	Carbon Steel	Zinch Plated
14	Ring Wiper	EPDM	Commercial
15	O-Ring	NBR	Commercial
16	Axis Guide	Brass	HPb59-1
17	Washer	Brass	HPb59-1
18	O-Ring	NBR	Commercial
19	Bolt	Carbon Steel	Zinch Plated
20	Wedge Nut	Brass	HPb59-1
21	Plug	Bronze	ASTM B584 C89833

Dimensions - Weights

SIZE		DIMENSIONS (mm)						WEIGHT KG.
		L	H	D	d	A	B	
DN50	¹ 2"	178	278	60,3	57,2	15,9	7,9	9,9
DN65	¹ 2 1/2"	190	296	73	69,1	15,9	7,9	10,9
				76,1	72,3			
DN80	¹ 3"	203	322	88,9	84,9	15,9	7,9	15,4
DN100	4"	229	395	114,3	110,1	15,9	9,5	28,1
DN125	² 5"	254	432	139,7	135,5	15,9	9,5	35,9
				141,3	137			
DN150	6"	267	475	165,1	160,9	15,9	9,5	42,4
				168,3	164			
DN200	8"	295	585	219,1	214,4	19	11,1	68,4
DN250	10"	330	656	273	268,3	19	12,7	105,4
DN300	12"	356	751	323,9	318,3	19	12,7	156,1

Note-1: No post plate - flange supplied

Note-2: UL Listed only (with post flange)