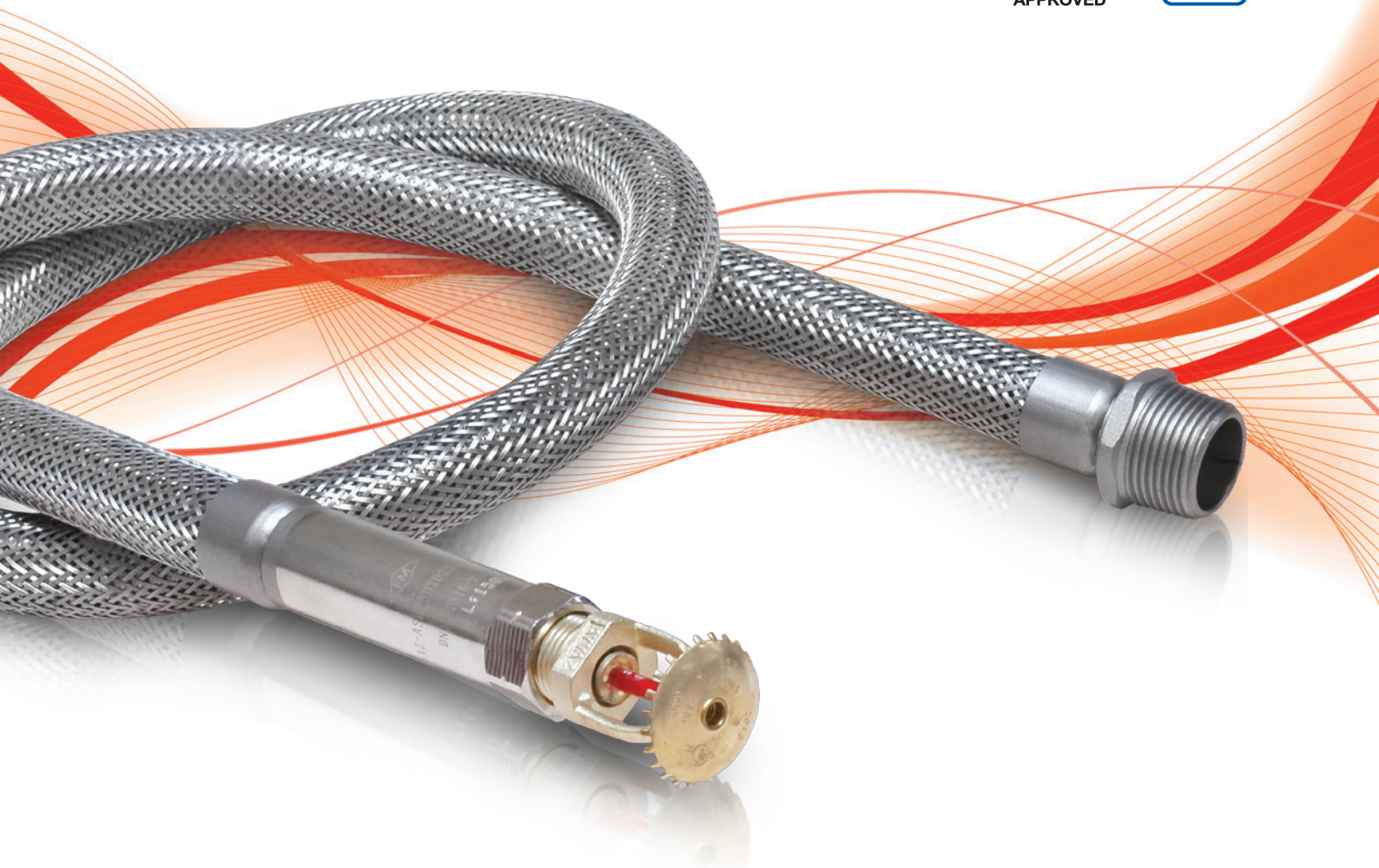




SPRINKLER CONNECTION HOSES



A EURO-QUALIFLEX (AEQ) MEMBER.

www.ayvaz.com

FLEXIBLE SPRINKLER CONNECTION HOSES (FM / VdS / UL)

Sprinkler Systems are automatic fire sensing and extinguishing systems that splash the water comes through connected pipeline.

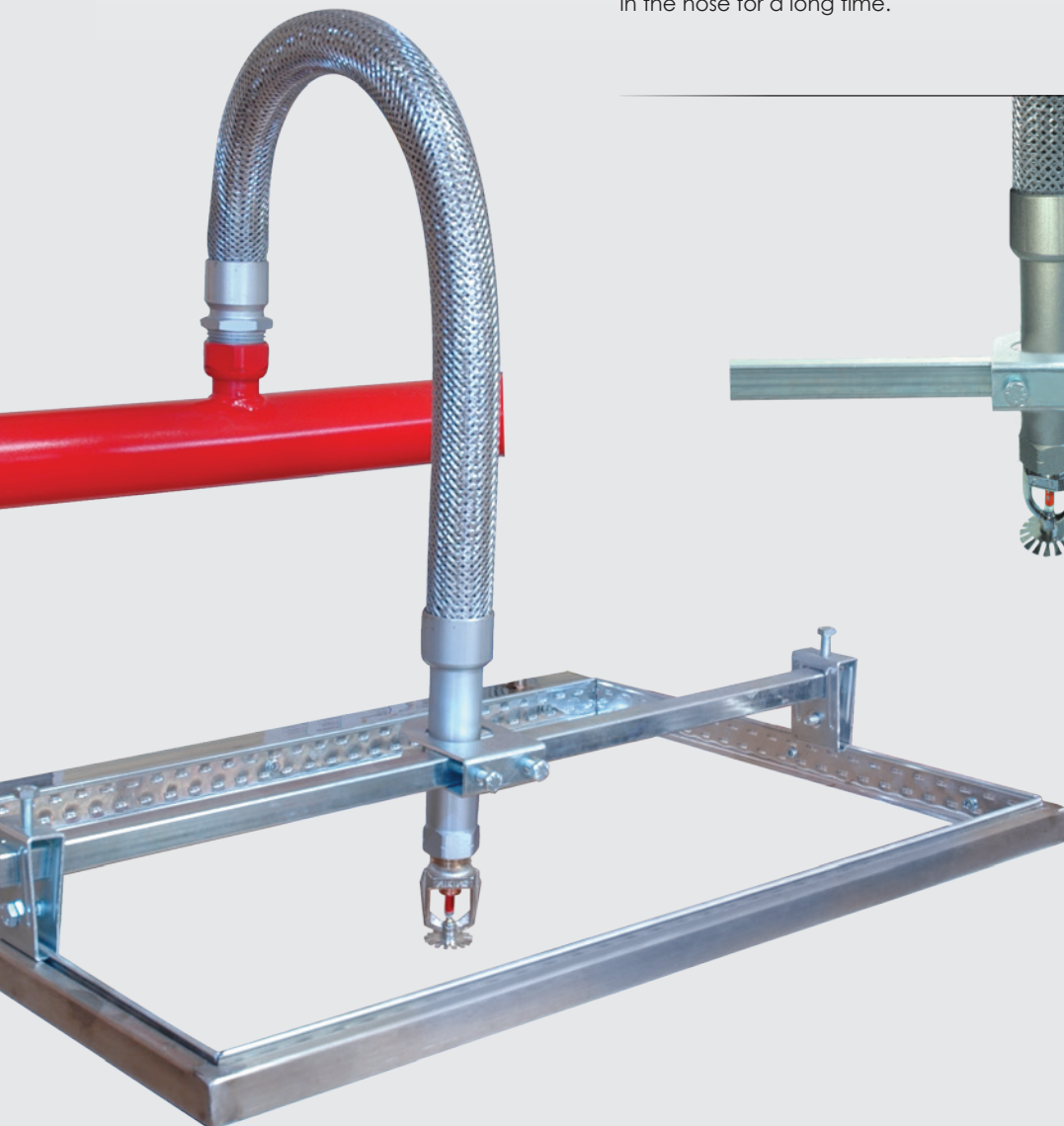
Public places like shopping malls, theatres, concert halls, hotels where the intervention time is crucial are the places where these systems are commonly chosen and used.

Ayvaz sprinkler hose and assembly kit can be effectively used in these systems and come over many connection difficulties caused by rigid piping.

ADVANTAGES

Flexible structure of stainless steel corrugated hose provides various advantages;

- Hose assembly is not affected by external movements and is able to suspend seismic motions.
- Flexibility of the hose provides required safety for all systems.
- Easy installation the hose and the sprinkler device into ceiling with assembly kit save on installation time and costs by eliminating pipe wastage and reducing the labour associated with cutting, threading, and sealing pipe threads.
- It is so easy to align and tighten sprinkler side of the hose with desired point of ceiling. Also, due to smart design of the fixing kit, sprinkler side of the hose can easily be moved and adjusted on vertical axis.
- It is not necessary to adjust sprinkler location if ceiling alignment and level are changed.
- Stainless steel hose and braiding provide high resistance against heat and temperature.
- The system is highly resistant against corrosive effect of the water that is kept in the hose for a long time.



Scan this QR Code



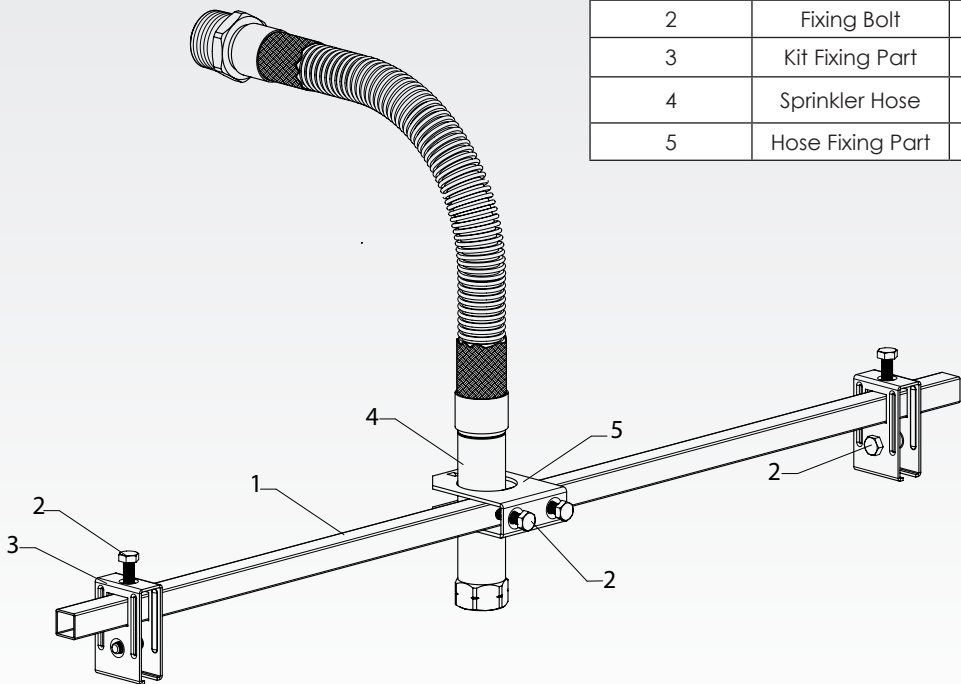
FLEXIBLE SPRINKLER CONNECTION HOSES (FM / VdS / UL)

PRODUCT FEATURES (FM, VdS Approved, UL Listed)

Hose Type	Standard corrugated metal hose
Hose Material	Stainless Steel AISI 316L
Braiding Material	Stainless Steel AISI 304
Fittings Types	Male-Internal threaded pipe
Fittings Materials	Carbon Steel St.37.2/Stainless Steel (Optional)
Min. Bending Radius	200mm

HOSE DIMENSIONS (FM, VdS Approved, UL Listed)			
DN	CONNECTION		LENGTH (mm)
	Main Pipeline	Sprinkler	
20	DN20 (3/4") x 1/2" DN20 (1") x 1/2"		500
			700
			1000
25	DN25 (1") x 1/2"		1200
			1500
			2000

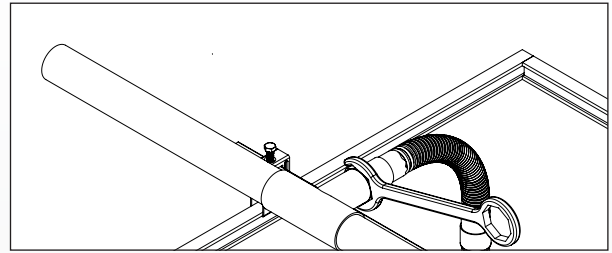
MATERIAL LIST		
Part Number	Part Name	Material
1	Assembly Bar	Galvanized coated St 37.2
2	Fixing Bolt	Carbon Steel 8.8
3	Kit Fixing Part	Galvanized coated St 37.2
4	Sprinkler Hose	Stainless Steel
5	Hose Fixing Part	Galvanized coated St 37.2



INSTALLATION INSTRUCTIONS

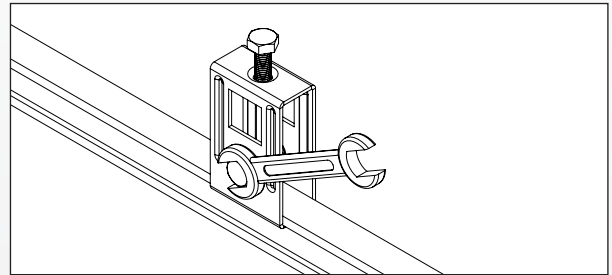
STEP 1 (Connecting the hose to the water line)

The nipple side of the sprinkler hose is connected and tightened to the connection nut on the fire line. The conical nut thread provides proper sealing without using gasket.



STEP 2 (Attaching the fixing parts to the metal grid)

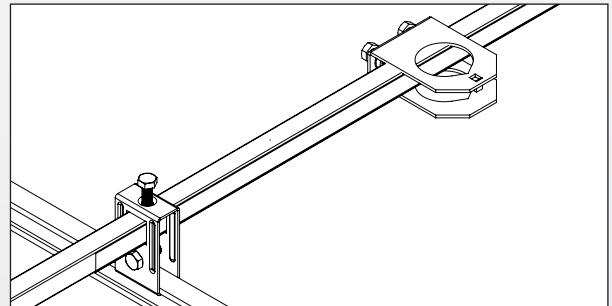
Two fixing parts are attached on both sides of the metal grid as them to face each other and gently tightened. Do not tighten too much in case further adjustments may be required.



STEP 3 (Placing the assembly bar)

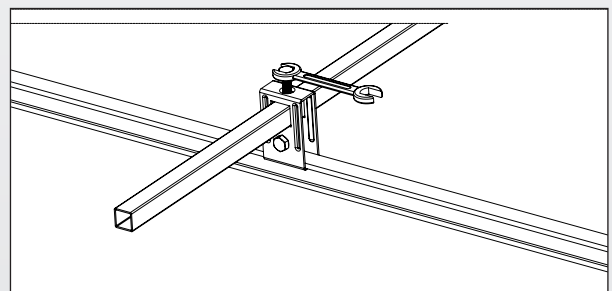
Slide the assembly bar through one of the fixing parts and push it to the opposite direction at the same plane until the unattended end of the bar goes through the hose fixing part and the opposite kit fixing part.

Place the assembly bar as leaving equal distance at both sides and screw in the tightening bolts on top of the fixing parts on both ends and gently tighten.



Step 4 (connecting the hose to the assembly bar)

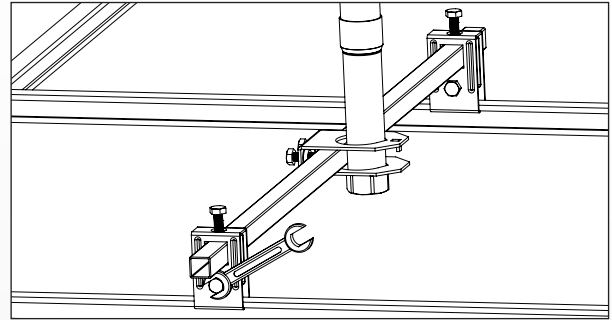
Sprinkler side of the hose is connected to the assembly bar as it goes through the hose fixing part. Then the hose fixing part is located as to be aligned with the hole on ceiling and the bolts of the hose fixing part are tightened.



INSTALLATION INSTRUCTIONS

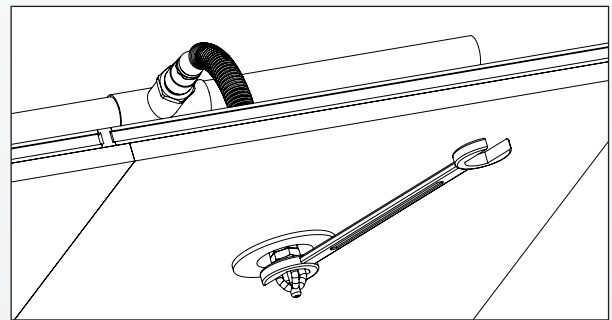
STEP 5 (Tightening the sprinkler connection set)

As the sprinkler connection set is complete and the sprinkler side is aligned with the hole on the ceiling. The bottom bolts of the fixing parts on both sides of the assembly bar are tightened.



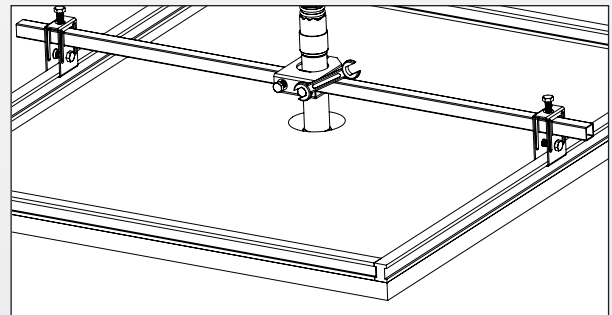
STEP 6 (Connecting the sprinkler head)

The sprinkler head is connected to the sprinkler end of the hose and the escutcheon is tightened. The conical thread of the sprinkler head and the hose nut provide desired sealing with using no gaskets.



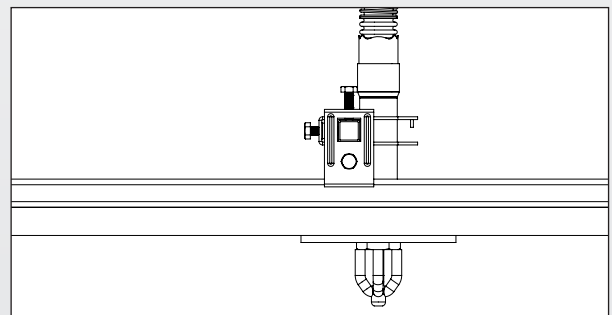
STEP 7 (Adjusting the sprinkler head's position)

The bolts of hose fixing part on the assembly bar are loosen a little bit and the position of the sprinkler head is adjusted as it fixed at the desired level according to the ceiling surface. Tighten the bolts back and complete the assembly.



STEP 8

After, completing the sprinkler hose assembly. The system must be tested in order to detect possible water leaks. Any leaks must be prevented immediately for maximum service life and protection against the hazards.





HEAD OFFICE - FACTORY

Atatürk Sanayi Bölgesi Hadımköy Mahallesi Mustafa İnan Caddesi No: 44 Arnavutköy - İSTANBUL
Tel: +90 212 771 01 45 (pbx) | Fax: +90 212 771 47 27

Caserta/Italy
Tel: +39 0823 187 3988
rmolaro@ayvaz.com

Moscow/Russia
Tel: +74959951728
ayvazrus@ayvaz.com

Waldorf/Germany
Tel: +49 151 25605335
germany@ayvaz.com

Kiev/Ukraine
Tel: +380 636226606
ukraine@ayvaz.com

Sao Paulo/Brazil
Tel: +902127710145
brazil@ayvaz.com

Dubai /U.A.E
Tel: +971 48808671
+971 501306871
mideast@ayvaz.com